



LET'S BUILD A BETTER FUTURE

 FRONT ENTRY DOORS / **AP** series



# ECO-HOME with Aluprof

Front entry doors; aren't they one of the most important parts of our home? They protect us from the cold, the rain, and the burglars, to mention just a few examples. Doors also keeps us away from street noise. But how do you make the right choice, and buy a door that will meet our expectations and serve us for years?

An issue that requires careful consideration before the purchase is the heat transfer coefficient (U). The lower its value, the more heat will stay with us inside. Aluprof offers panelled doors with the  $U_D$  coefficient of 0.50 W/(m<sup>2</sup>K).

When choosing our door, let's not forget to check out their water resistance. It's the water resistance of the door that will keep the driving rain outside in times of strong winds and heavy rain. The higher the class, the better the door protects our home. Aluprof offers panelled doors rated E1200 (1200 Pa).

Infill panels are included in door leaves based on the MB-70, MB-79N, MB-86 and MB-104 Passive system, and come in a variety of colours and structures. The elements can be milled, decorated with applications or made of insulated glass. Panelled doors can be fabricated very large and high – up to 1.40 m (W) and almost 2.60 m (H). If, therefore, we dream of an impressive front entrance, this will be the perfect choice. But above all, the door should fit to the style of your home. If our interiors are the traditional ones, we should opt for a leaf with glass panels or wooden-like veneer. Lovers of modern interior can choose among RAL colours, think shade of graphite.

Let's take some time and choose a door with which we will create a beautiful entrance that will enchant our guests and will make us feel like we were in a safe haven.

## MB-104 Passive

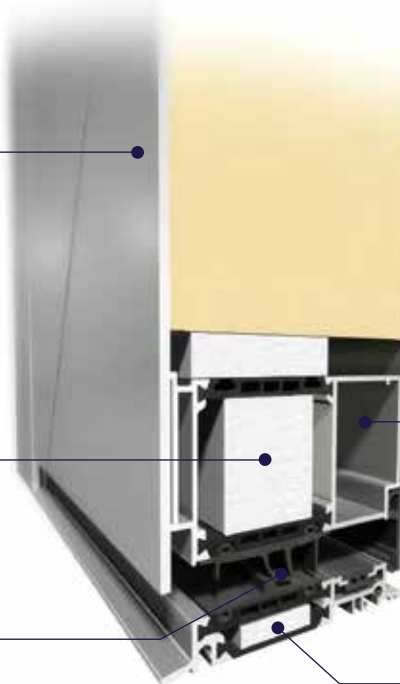
# $U_D$ from 0.50 W/m<sup>2</sup>K

Aluprof's panel door uses thermally insulated aluminium profile system – MB-104 Passive is the most technologically advanced door system offered by Aluprof. The leaf profile can be combined with special infills, aligned with the surface of the frame. The system is dedicated to passive and energy-efficient buildings.

Elegant decorative panels, available in many different patterns and RAL colours and wood effect finishes

Design variants: SI, SI+ and AERO

Central gaskets around the leaf and the frame to seal, cover, and increase the thermal insulation of the door



### Technical details:

Frame depth	95 mm
Leaf depth	95 mm
Infill panel thickness	up to 95 mm
Maximum dimensions of the leaf	(H×L) L up to 1400 mm, H up to 2600 mm

### Technical parameters:

Air permeability	Class 4, EN 12207
Water tightness	Class E1200 (1200 Pa), EN 12208
Wind load resistance	Class C4/B4, EN 12210
Thermal insulation	$U_D$ from 0.50 W/m <sup>2</sup> K
Burglary-resistance	RC2

Expansion joint profiles

95 mm-wide warm threshold - the same width as the threshold and frame

## MB-86

# $U_D$ from 0.66 W/m<sup>2</sup>K

Aluprof's panel doors use thermally insulated aluminium profile system – MB-86 – which, just like the MB-104 Passive system, is dedicated to energy-efficient and passive building. The leaf profile can be combined with special infills, aligned with the surface of the frame.

Aesthetically pleasing, decorative panels are available in various designs and colours

They come in four versions: ST, SI, SI + and AERO for a very good thermal performance



### Technical details:

Frame depth	77 mm
Leaf depth	77 mm
Infill panel thickness	44 and 77 mm
Maximum dimensions of the leaf	(H×L) L up to 1400 mm, H up to 2600 mm

### Technical parameters:

Air permeability	Class 4, EN 12207
Water tightness	Class E900 (900 Pa), EN 12208
Wind load resistance	Class C5/B5, EN 12210
Thermal insulation	$U_D$ from 0.66 W/m <sup>2</sup> K
Burglary-resistance	RC2

Rigid and durable aluminium profiles allow to fabricate of large-dimensioned doors

Weather strips provide high water tightness and air permeability, bringing comfort and money savings

## MB-79N

 $U_D$  from 0.8 W/m<sup>2</sup>K

Aluprof's panel door uses popular, thermally insulated aluminium profile system – MB-79N ST, MB-79N SI and MB-79N SI+. The leaf profile can be combined with special infills, aligned with the surface of the frame.

Elegant decorative panels, available in many different patterns and RAL colours and wood effect finishes

Expansion profiles

They come in three versions: MB-79N ST, MB-79N SI and MB-79N SI+, for a very good thermal performance

**Technical details:**

Frame depth	70 mm
Leaf depth	70 mm
Infill panel thickness	44 and 70 mm
Maximum dimensions of the leaf	(H×L) L up to 1400 mm, H up to 2600 mm

**Technical parameters:**

Air permeability	Class 3, EN 12207
Water tightness	Class E900 (900 Pa), EN 12208
Wind load resistance	Class C5/B5, EN 12210
Thermal insulation	$U_D$ from 0.8 W/m <sup>2</sup> K
Burglary-resistance	RC2

Specially designed weather strips provide high water tightness and low air permeability, bringing both a comfort and a potential for cost savings

## MB-70

# $U_D$ from 0.9 W/m<sup>2</sup>K

The structure of panel doors is based on the popular thermally-broken aluminium sections MB-70 oraz MB-70HI which complete the range of energy-efficient doors in the Aluprof portfolio. Similarly to other panel door system the leaf profile is designed for coupling with special infill panels that can be installed flush with the door frame plane.

Elegant decorative panels, available in many different patterns and RAL colours and wood effect finishes

Expansion profiles and door leaf panels

Two variants of structure: MB-70 oraz MB-70HI, which enable obtaining very good thermal performance



### Technical details:

Frame depth	70 mm
Leaf depth	70 mm
Infill panel thickness	44 and 70 mm
Maximum dimensions of the leaf	(H×L) L up to 1200 mm, H up to 2400 mm

### Technical parameters:

Air permeability	Class 4, EN 12207
Water tightness	Class 7A (300 Pa), EN 12208
Wind load resistance	Class C5/B5, EN 12210
Thermal insulation	$U_D$ from 0.9 W/m <sup>2</sup> K
Burglary-resistance	RC2

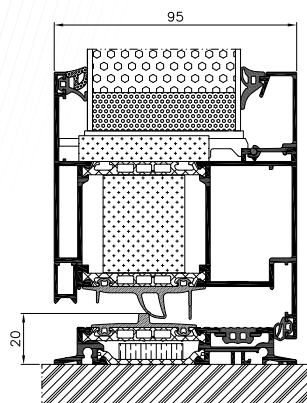
The selected seals ensure high water- and air tightness and air, improving the comfort of use and reducing the cost.

## BASIC



### Insert panels

- Triple glazing units  $U_g$  0.5 W/m<sup>2</sup>K or  $U_g$  0.7 W/m<sup>2</sup>K
- Panel thickness from 44 to 72 mm
- U-value  
for MB-70HI door  $U_D$  from 1.3 W/m<sup>2</sup>K,  
for MB-79N door  $U_D$  from 1.0 W/m<sup>2</sup>K,  
for MB-86 door  $U_D$  from 0.8 W/m<sup>2</sup>K,  
and for MB-104 Passive door  $U_D$  from 0.63 W/m<sup>2</sup>K
- Four construction variants: ST, HI, SI, SI+ & Aero

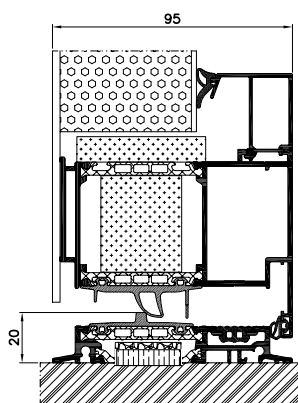


## CLASSIC



### Aligned on one side

- Triple glazing units  $U_g$  0.5 W/m<sup>2</sup>K or  $U_g$  0.7 W/m<sup>2</sup>K
- Panel thicknesses from 44 to 85 mm
- U-value  
for MB-70HI door  $U_D$  from 1.1 W/m<sup>2</sup>K,  
for MB-79N door  $U_D$  from 1.0 W/m<sup>2</sup>K,  
for MB-86 door  $U_D$  from 0.64 W/m<sup>2</sup>K  
and for MB-104 Passive door  $U_D$  from 0.48 W/m<sup>2</sup>K
- Four construction variants: ST, HI, SI, SI+ & Aero

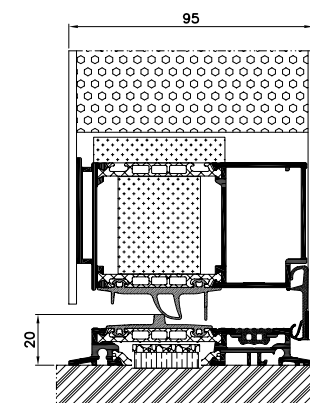


## EXCLUSIVE



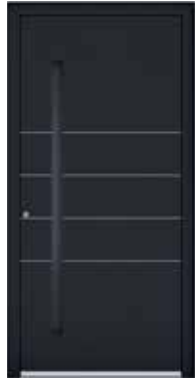
### Aligned on both sides

- Triple glazing units  $U_g$  0.5 W/m<sup>2</sup>K
- 70 mm thick panel (MB-70 and MB-79N),  
77 mm (MB-86) and 95 mm (MB-104 Passive)
- U-value  
for MB-70HI door  $U_D$  from 0.9 W/m<sup>2</sup>K,  
for MB-79N door  $U_D$  from 0.8 W/m<sup>2</sup>K,  
for MB-86 door  $U_D$  from 0.66 W/m<sup>2</sup>K  
and for MB-104 Passive door  $U_D$  from 0.50 W/m<sup>2</sup>K
- Four construction variants: ST, HI, SI, SI+ & Aero



All available models can be inserted into the profiles or glued on one or both sides.

## PANELLED DOOR AP SERIES



AP21  
page 10



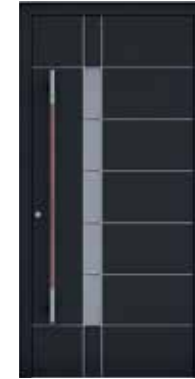
AP22  
page 10



AP23  
page 11



AP24  
page 11



AP25  
page 12



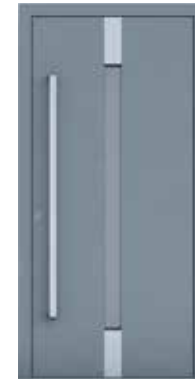
AP26  
page 12



AP27  
page 13



AP28  
page 13



AP11  
page 13



AP29  
page 14



AP30  
page 14



AP19  
page 14



AP01  
page 15



AP02  
page 15

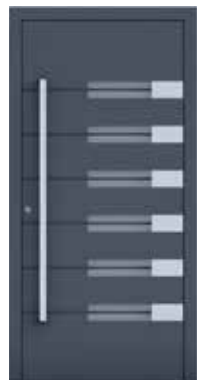


AP31  
page 16

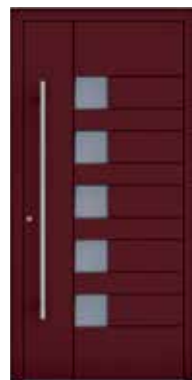




AP16  
page 16



AP18  
page 16



AP07  
page 17



AP03  
page 17



AP08  
page 17



AP13  
page 18



AP09  
page 18



AP12  
page 19



AP15  
page 19



AP17  
page 19



AP05  
page 20



AP04  
page 20



AP10  
page 20



AP20  
page 21



AP21

with a sidelite

- APZ 1600 flush pull handle\* Flush inlay
- Alunox 5 mm; on the outside face
- Surface finish: RAL 9005



AP22

- APZ 1600 flush pull handle\*
- Glass pane:
  - outer: VSG 33.1
  - middle: Satinato
  - inner: insulating glass with low-E coating
- Surface finish: RAL 7021



### AP23

- APZ 1600 flush pull handle\*
- 5 mm carves; on the outside face
- AP 3021 kickplate
- Surface finish: DB 703



### AP24

with a sidelite

- APZ 1600 flush pull handle\*
- AP 3021 kickplate
- AP 3500 anti-scratch protection
- Surface finish RAL 9016

\* Models with APZ flush pull handle are available for panel thickness range of 65-95mm



AP25

with a sidelite

- AP 200.1400 door pull handle made of high-grade steel/Jatobe wood
- 5 mm flush Alunox inlay; on the outside face
- Glass pane:
  - outer: VSG 33.1
  - middle: sandblasted glass, chosen motif
  - inner: insulating glass with low-E coating
- Surface finish: RAL 9005



AP26

- AP 40.1600 door pull handle made of high-grade steel
- 5 mm flush Alunox inlay; on the outside face
- Glass pane:
  - outer: VSG 33.1
  - middle: Satinato
  - inner: insulating glass with low-E coating
- AP 3400 anti-scratch protection
- Surface finish: RAL 3004



### AP27

- AP 60.1600 door pull handle made of high-grade steel
- 5 mm carves; on the outside face
- Glass pane:
  - outer: VSG 33.1
  - middle: Satinato
  - inner: insulating glass with low-E coating
- Surface finish: RAL 7016



### AP28

- AP 60.1600 door pull handle made of high-grade steel
- 5 mm Alunox inlay; on the outside face
- Glass pane:
  - outer: VSG 33.1
  - middle: Satinato
  - inner: insulating glass with low-E coating
- Surface finish: RAL 9016



### AP11

- AP 80.1625 door pull handle made of high-grade steel
- 5 mm Alunox inlay; on the outside face
- Glass pane:
  - outer: VSG 33.1
  - middle: sandblasted with transparent frame
  - inner: insulating glass with low-E coating
- Surface finish: RAL 9007



AP29

- AP 46.825 door pull handle made of high-grade steel, finished in black
- U-type carves; on the outside face
- Surface finish: Winchester - ADEC D207



AP30

- AP 130.1030 door pull handle made of high-grade steel
- 5 mm flush Alunox inlay; on the outside face
- Surface finish: RAL 7016



AP19

- AP 60.800 door pull handle made of high-grade steel
- Glass pane:
  - outer: VSG 33.1
  - middle: sandblasted with transparent strips
  - inner: insulating glass with low-E coating
- Surface finish: RAL 9016



### AP01

- AP 40.1600 door pull handle made of high-grade steel
- Flush Alunox inlay; on the outside face
- Glass pane:
  - outer: VSG 33.1
  - middle: sandblasted with transparent strips
  - inner: insulating glass with low-E coating
- AP 3021 kickplate
- AP 3400 anti-scratch protection
- Surface finish: RAL 9005



### AP02

with a sidelite

- AP 60.1600 door pull handle made of high-grade steel
- Flush Alunox inlay; on the outside face
- Glass pane:
  - outer: VSG 33.1
  - middle: sandblasted with transparent strips
  - inner: insulating glass with low-E coating
- AP 3400 anti-scratch protection
- Surface finish: RAL 7016



**AP31**

- AP 46.1625 door pull handle made of high-grade steel
- Carves; on the outside face
- Glass pane:
  - outer: VSG 33.1
  - middle: sandblasted with transparent strips
  - inner: insulating glass with low-E coating
- Surface finish: RAL 7001



**AP16**

- AP 60.1600 door pull handle made of high-grade steel
- Carves; on the outside face
- Glass pane:
  - outer: VSG 33.1
  - middle: sandblasted with transparent strips
  - inner: insulating glass with low-E coating
- Surface finish: RAL 9016



**AP18**

- AP 80.1625 door pull handle made of high-grade steel
- Carves; on the outside face
- Flush Alunox inlay; on the outside face
- Glass pane:
  - outer: VSG 33.1
  - middle: sandblasted with transparent strips
  - inner: insulating glass with low-E coating
- AP 3021 kickplate
- Surface finish: RAL 7015

The actual product colours may vary from the colours shown





### AP07

- AP 40.1600 door pull handle made of high-grade steel
- Carves; on the outside face
- Glass pane:
  - outer: VSG 33.1
  - middle: sandblasted with transparent frame
  - inner: insulating glass with low-E coating
- Surface finish: RAL 3004



### AP03

- AP 60.1600 door pull handle made of high-grade steel
- Flush Alunox inlay; on the outside face
- Glass pane:
  - outer: VSG 33.1
  - middle: Satinato
  - inner: insulating glass with low-E coating
- AP 3021 kickplate
- Surface finish: RAL 7016



### AP08

- AP 80.825 door pull handle made of high-grade steel
- Glass pane:
  - outer: VSG 33.1
  - middle: sandblasted with transparent frame
  - inner: insulating glass with low-E coating
- AP 3021 kickplate
- Surface finish: RAL 9016



### AP13

- AP 200.1600 door pull handle made of high-grade steel/Jatobe wood
- Flush Alunox inlay; on the outside face
- Glass pane:
  - outer: VSG 33.1
  - middle: Satinato
  - inner: insulating glass with low-E coating
- Surface finish: RAL 7016



### AP09

with a sidelite

- AP 60.1400 door pull handle made of high-grade steel
- Flush Alunox inlay; on the outside face
- Glass pane:
  - outer: VSG 33.1
  - middle: sandblasted glass with transparent frame
  - inner: insulating glass with low-E coating
- Surface finish: RAL 7016/ sweet cherry - ADEC C212



### AP12

- AP 50.1200 door pull handle made of high-grade steel
- Glass pane:
  - outer: VSG 33.1
  - middle: sandblasted glass with transparent frame
  - inner: insulating glass with low-E coating
- Surface finish: RAL 9007/RAL 3004



### AP15

- AP 50.1200 door pull handle made of high-grade steel
- Flush Alunox inlay; on the outside face
- Glass pane:
  - outer: VSG 33.1
  - middle: Satinato
  - inner: insulating glass with low-E coating
- Surface finish: walnut - ADEC 0102



### AP17

- AP 50.1200 door pull handle made of high-grade steel
- Carves; on the outside face
- Glass pane:
  - outer: VSG 33.1
  - middle: sandblasted with transparent strips
  - inner: insulating glass with low-E coating
- AP 3300 anti-scratch protection
- Surface finish: DB 703



AP05

- AP 40.1600 door pull handle made of high-grade steel
- Carves; on the outside face
- AP 3021 kickplate
- Surface finish: RAL 9005



AP04

- AP 60.1600 door pull handle made of high-grade steel
- Flush Alunox inlay; on the outside face
- AP 3021 kickplate
- Surface finish: Winchester - ADEC D207



AP10

- AP 60.1800 door pull handle made of high-grade steel
- AP 3400 anti-scratch protection
- AP 3020 kickplate
- Surface finish: RAL 9006



## AP20

- AP 60.1600 door pull handle made of high-grade steel
- Glass pane:
  - outer: VSG 33.1
  - middle: sandblasted chosen motif
  - inner: insulating glass with low-E coating
- AP 3400 anti-scratch protection
- Decorative elements: ornamental frame on the outside
- Surface finish: Vien wallnut - ADEC O102

The actual product colours may vary from the colours shown



# Pull handle

## AP 40

pull handle, dia. 30 mm  
(right-angle holders),  
stainless steel,  
matte, polished

- AP 40.600 30x600 mm
- AP 40.800 30x800 mm
- AP 40.1000 30x1000 mm
- AP 40.1200 30x1200 mm
- AP 40.1400 30x1400 mm
- AP 40.1600 30x1600 mm
- AP 40.1800 30x1800 mm

## AP 60

pull handle, 40 x 10 mm  
(right-angle holders),  
stainless steel,  
matte, polished

- AP 60.600 40x10x600 mm
- AP 60.800 40x10x800 mm
- AP 60.1000 40x10x1000 mm
- AP 60.1200 40x10x1200 mm
- AP 60.1400 40x10x1400 mm
- AP 60.1600 40x10x1600 mm
- AP 60.1800 40x10x1800 mm

## AP 100

pull handle, 30 x 30 mm  
(right-angle holders),  
stainless steel,  
matte, polished

- AP 100.600 600 mm
- AP 100.800 800 mm
- AP 100.1000 1000 mm
- AP 100.1200 1200 mm
- AP 100.1400 1400 mm
- AP 100.1600 1600 mm
- AP 100.1800 1800 mm

## AP 80

pull handle, 40 x 10 mm  
(right-angle holders),  
stainless steel, matte, polished  
or black finished

- AP 80.625 625 mm
- AP 80.825 825 mm
- AP 80.1025 1025 mm
- AP 80.1225 1225 mm
- AP 80.1425 1425 mm
- AP 80.1625 1625 mm
- AP 80.1825 1825 mm

## AP 50

pull handle, dia. 30 mm  
(holders bent to the side),  
stainless steel, matte,  
polished

- AP 50.600 30x600 mm
- AP 50.1000 30x1000 mm
- AP 50.1200 30x1200 mm

Available colours:



stainless steel



black

## AP 30

pull handle, dia. 30 mm  
(holders turned 45 deg.),  
stainless steel,  
matte, polished

- AP 30.600 30x600 mm
- AP 30.800 30x800 mm
- AP 30.1000 30x1000 mm
- AP 30.1200 30x1200 mm
- AP 30.1400 30x1400 mm
- AP 30.1600 30x1600 mm
- AP 30.1800 30x1800 mm

## AP 70

pull handle, 40 x 10 mm  
(holders turned 45 deg.),  
stainless steel,  
matte, polished

- AP 70.600 40x10x600 mm
- AP 70.800 40x10x800 mm
- AP 70.1000 40x10x1000 mm
- AP 70.1200 40x10x1200 mm
- AP 70.1400 40x10x1400 mm
- AP 70.1600 40x10x1600 mm
- AP 70.1800 40x10x1800 mm

## AP 110

pull handle, 30 x 30 mm  
(holders turned 45 deg.),  
stainless steel,  
matte, polished

- AP 110.600 600 mm
- AP 110.800 800 mm
- AP 110.1000 1000 mm
- AP 110.1200 1200 mm
- AP 110.1400 1400 mm
- AP 110.1600 1600 mm
- AP 110.1800 1800 mm

## AP 90

pull handle, 40 x 10 mm  
(holders bent forward),  
stainless steel,  
matte, polished

- AP 90.600 600 mm

## AP 46

pull handle, 40 x 25 mm,  
semi-circular (right-angle  
holders), stainless steel, matte,  
polished or black finished

- AP 46.625 625 mm
- AP 46.825 825 mm
- AP 46.1025 1025 mm
- AP 46.1225 1225 mm
- AP 46.1425 1425 mm
- AP 46.1625 1625 mm
- AP 46.1825 1825 mm

Available colours:



stainless steel



black

# Lever handles

## AP 200

pull handle, dia. 35 - 40 mm  
(right-angle holders),  
Jatobe/stainless steel,  
matte, polished

- AP 200.800 800 mm
- AP 200.1200 1200 mm
- AP 200.1600 1600 mm

## AP 130

pull handle, 30 x 20 mm  
(right-angle holders),  
stainless steel,  
matte, polished

- AP 130.630 630 mm
- AP 130.830 830 mm
- AP 130.1030 1030 mm
- AP 130.1230 1230 mm
- AP 130.1430 1430 mm
- AP 130.1630 1630 mm

## AP 210

pull handle, dia. 35 - 40 mm  
(holders turned 45 deg.),  
Jatobe/stainless steel,  
matte, polished

- AP 210.800 800 mm
- AP 210.1200 1200 mm
- AP 210.1600 1600 mm

## AP 270

horizontal pull handle

- AP 270 60x550mm

## AP 250

horizontal pull handle

- AP 250 480x65mm



lever handle: 1924216X  
stainless steel, natural  
anode and inox, white,  
anthracite, black



lever handle: 1924218X  
escutcheon: 1924230X  
stainless steel, natural anode and  
inox, white, anthracite, black



lever handle: 1924111X  
escutcheon: 1924113X  
RAL colours

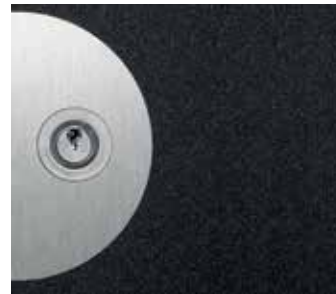


lever handle: 8001289X  
escutcheon: 1924113X  
RAL colours, natural  
anode, faux anode

Aluprof offers a wide range of kickplates and door protection plates as anti-scratch protection of the door surface.

## AP 3300

Flush anti-scratch protection,  
Alunox



## AP 3400

Flush anti-scratch protection,  
Alunox



## AP 3500

Flush anti-scratch protection,  
Alunox



## AP 3000

Flush kickplate - Alunox



| 130 mm high

## AP 3020

Flush kickplate - Alunox



| 60 mm high

## AP 3021

Flush kickplate - Alunox



| 30 mm high

# Wood-like coatings and RAL colours



Golden Oak  
ADEC D101

Rustic Oak  
ADEC D210

Swamp Oak  
ADEC D502

Ebony  
ADEC M102

Walnut  
ADEC O102

Walnut Vein  
ADEC O205

Mahogany  
ADEC M103

Mahogany Sapeli  
ADEC M204

Pine  
ADEC S106

Pine  
ADEC S110



Fir  
ADEC J107

Fir  
ADEC S208

Beech  
ADEC B108

Cherry  
ADEC W109

Wenge  
ADEC W205

Winchester  
ADEC D207

Gean  
ADEC C110

Gean  
ADEC C212

Dark Cherry  
ADEC C106

Chestnut  
ADEC K101

// RAL & structural colours\*



Palisander  
ADEC M332

Dark walnut  
ADEC O306

Vintage Oak  
ADEC D825

Concrete  
ADEC E137

\* All RAL colours and structural colours as per the offer.  
The colours may vary slightly from the finished product.



Master-Point  
clear glass



Chinchilla  
clear glass



Satinato  
frosted glass



Master-Ligne  
clear glass



Master-Carre  
clear glass



Transparent  
glass



## Aluprof offers a wide range of glass with motif, glass made of transparent or ornamental glass in its most popular models

All door models come in variants with sidelight and toplight.

- Version 1:** glass with motif
- Version 2:** transparent glass
- Version 3:** ornamental glass

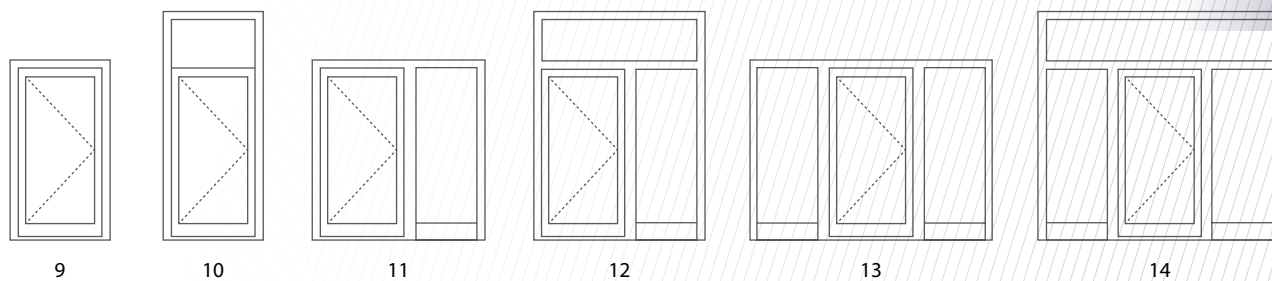
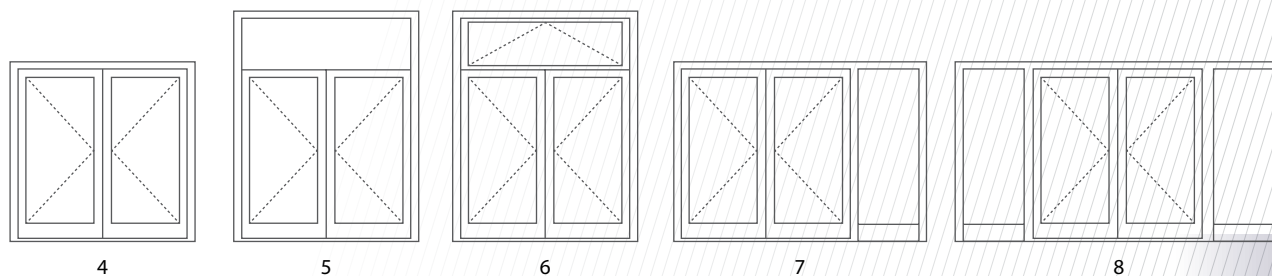
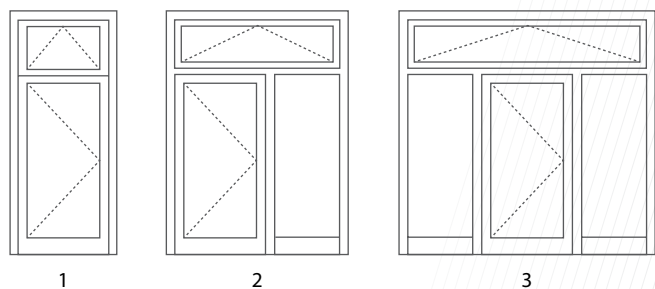
Sidelights and fixed lights include triple glazing units with warm glass spacers. Sidelights (fixed glazing) can be placed either on one or on both sides of the door assembly. Maximum sidelight width: 1400mm.

**Triple glazing:**  $U_g$ - from 0.5 to 0.7 W/m<sup>2</sup>K  
For depth of frame from 44-85 mm  
(black, warm edge spacer bar)

**outer:** 6 mm laminated safety glass (VSG)  
**middle:** sandblasted glass / leaded stained glass / insulating glass with low-E coating  
**inner:** insulating glass with low-E coating

**Quadruple glazing:**  $U_g$ - 0.5 W/m<sup>2</sup>K  
For 95 mm frame depth  
(black, warm edge spacer bar)

**outer:** 6 mm laminated safety glass (VSG)  
**middle I:** sandblasted glass / leaded stained glass / insulating glass with low-E coating  
**middle II:** insulating glass with low-E coating  
**inner:** insulating glass with low-E coating



# WWW.HOME.ALUPROF.EU

Please visit our site [www.home.aluprof.eu](http://www.home.aluprof.eu) to learn more on energy-efficient aluminium systems for the construction industry.





vrata puerta portière **drzwi** door vrata **puerta** portière TÜR **drzwi** door



Scan the QR code  
and download the PDF  
onto your mobile device

# ALUPROF

ALUMINIUM SYSTEMS

**ALUPROF SA**

ul. Warszawska 153, 43-300 Bielsko-Biała, Poland  
tel. +48 33 81 95 300, fax +48 33 82 20 512  
e-mail: [aluprof@aluprof.eu](mailto:aluprof@aluprof.eu), [www.aluprof.eu](http://www.aluprof.eu)